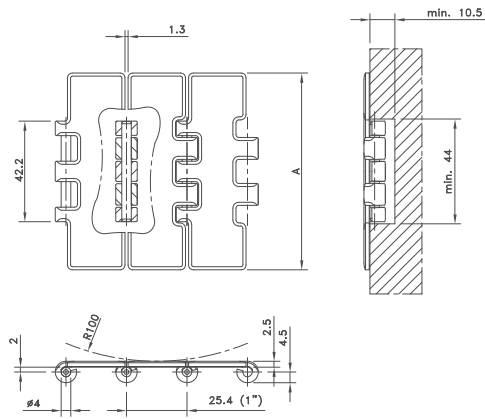
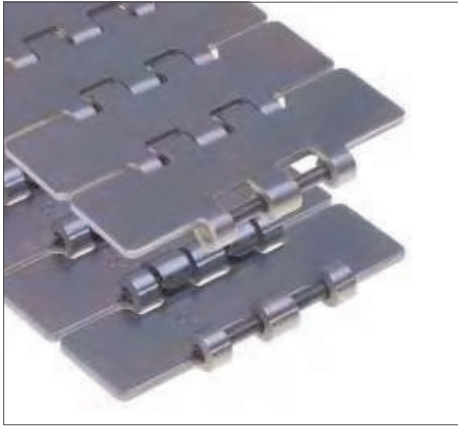


Straight Run Double Hinge Max-Line 1"



Chain Type	Code Number	Plate Width A		Weight kg/m	Surface Flatness (max.) mm	Polished Hinge Eyes	Working Load (max.) N
		mm	inch				
661-Series							
661 S 31 SM	762.09.90	82.5	3.25	1.96	0.10	yes	5100
661 S 84 SM	762.09.91	83.8	3.30	1.97			

Standard length: 3.048 m – 10 feet (120 links)

